

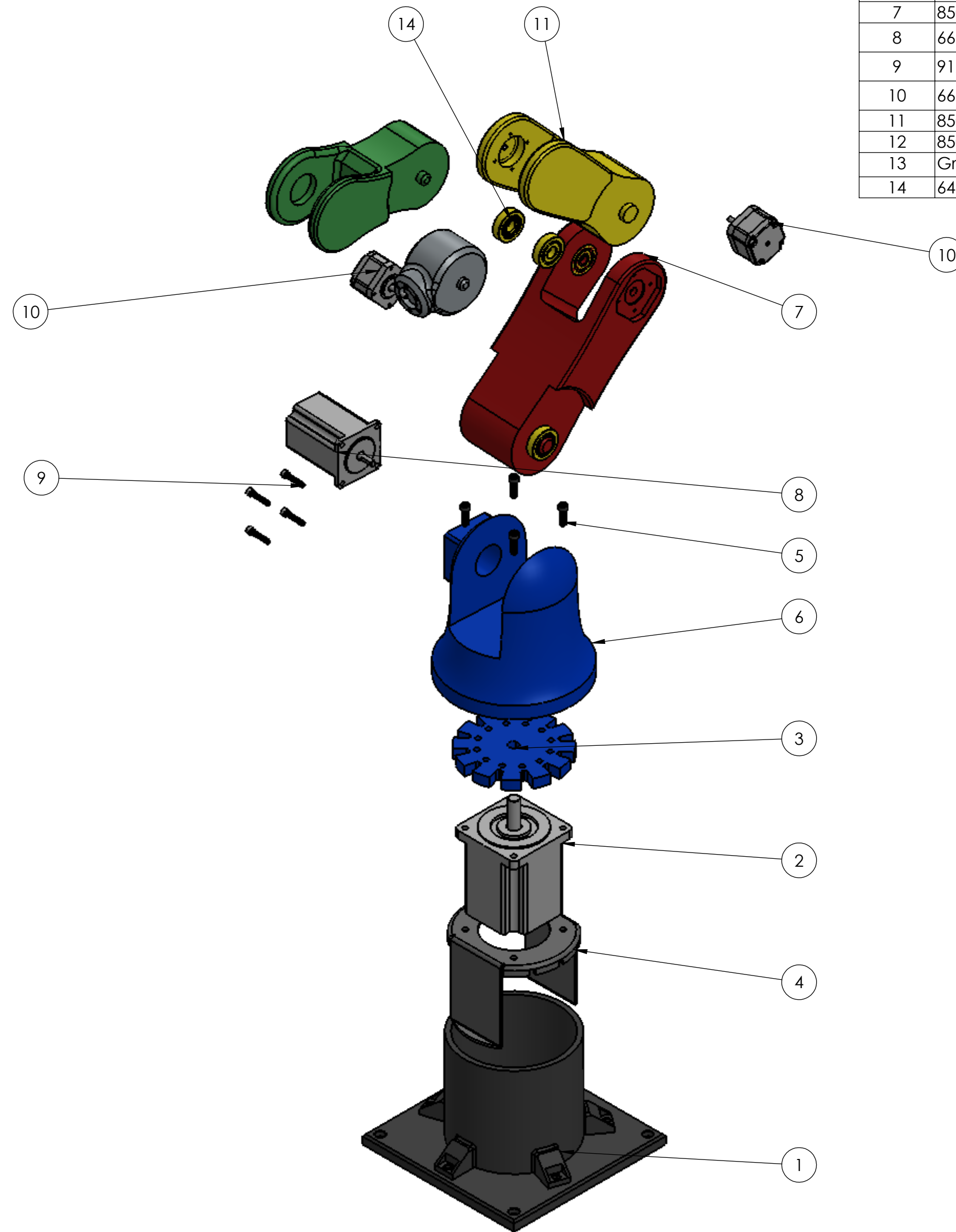
ITEM NO.	PART NUMBER	DESCRIPTION	QTY.
1	850-RBOT001-01	Robotic Arm Base	1
2	6627T57		1
3	850-RBOT002-01	Robotic Arm Base-Gear	1
4	850-RBOT003-01	Base Motor Plate	1
5	91251A440		4
6	850-RBOT004-01	Robotic Arm Base-Top Gear	1
7	850-RBOT005-01	Robotic Arm1	1
8	6627T54		1
9	91251A347		4
10	6627T66		2
11	850-RBOT006-01	Robotic Arm2	1
12	850-RBOT007-01	Robotic Arm3	1
13	Gripper Snap Head		1
14	6455K270_GENERAL PURPOSE PLASTIC BALL BEARING		8

PROPRIETARY AND CONFIDENTIAL
 THE INFORMATION CONTAINED IN THIS DRAWING IS THE SOLE PROPERTY OF Summer HSSP 2018. ANY REPRODUCTION IN PART OR AS A WHOLE WITHOUT THE WRITTEN PERMISSION OF Summer HSSP 2018 IS PROHIBITED.

UNLESS OTHERWISE SPECIFIED:		NAME	DATE
DIMENSIONS ARE IN INCHES		DRAWN	PMF 5/27/18
TOLERANCES:		CHECKED	
FRACTIONAL ±		ENG APPR.	WG 5/28/18
ANGULAR: MACH ± BEND ±		MFG APPR.	RA 5/30/18
TWO PLACE DECIMAL ±		Q.A.	
THREE PLACE DECIMAL ±		COMMENTS:	
INTERPRET GEOMETRIC TOLERANCING PER:			
MATERIAL			
Alum			
FINISH			
Raw			
NEXT ASSY	USED ON		
APPLICATION	DO NOT SCALE DRAWING		

Summer HSSP 2018		
TITLE: Robotic Arm Complete Assy		
SIZE	DWG. NO.	REV
C	850-RBOT001	1
SCALE: 1:1	WEIGHT:	SHEET 1 OF 1

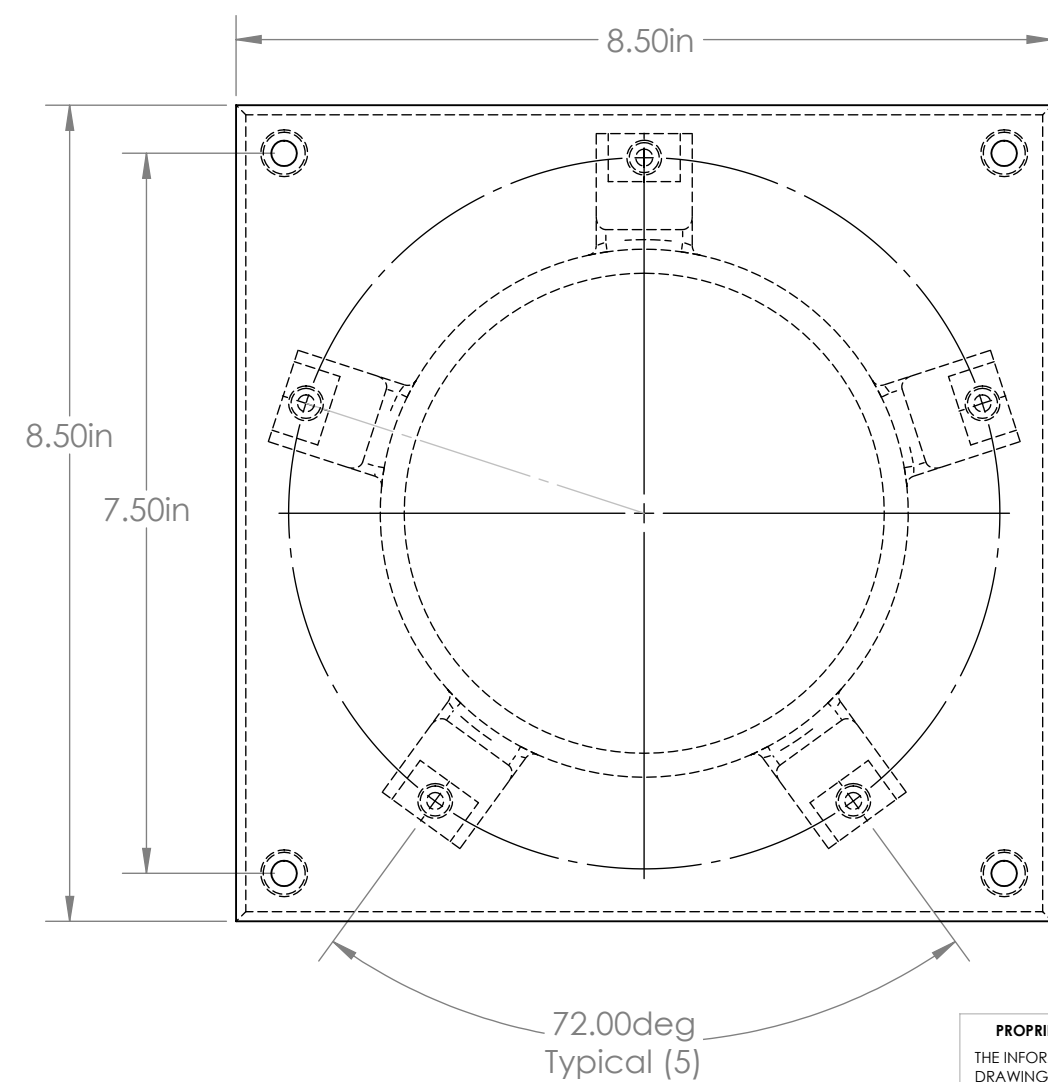
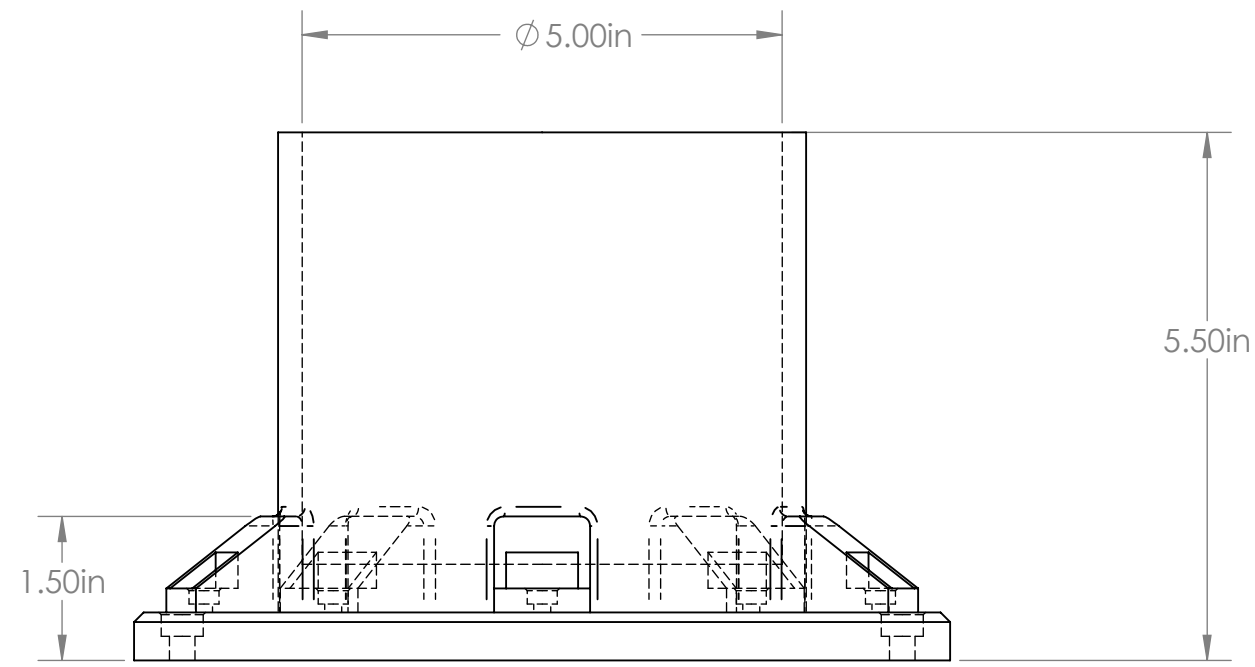
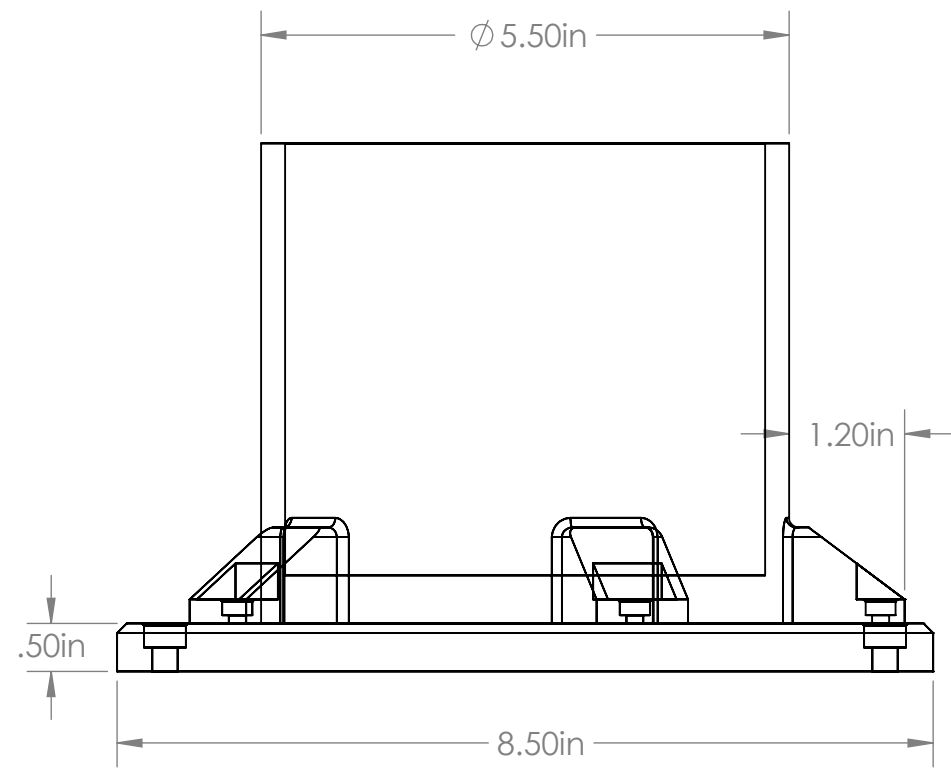
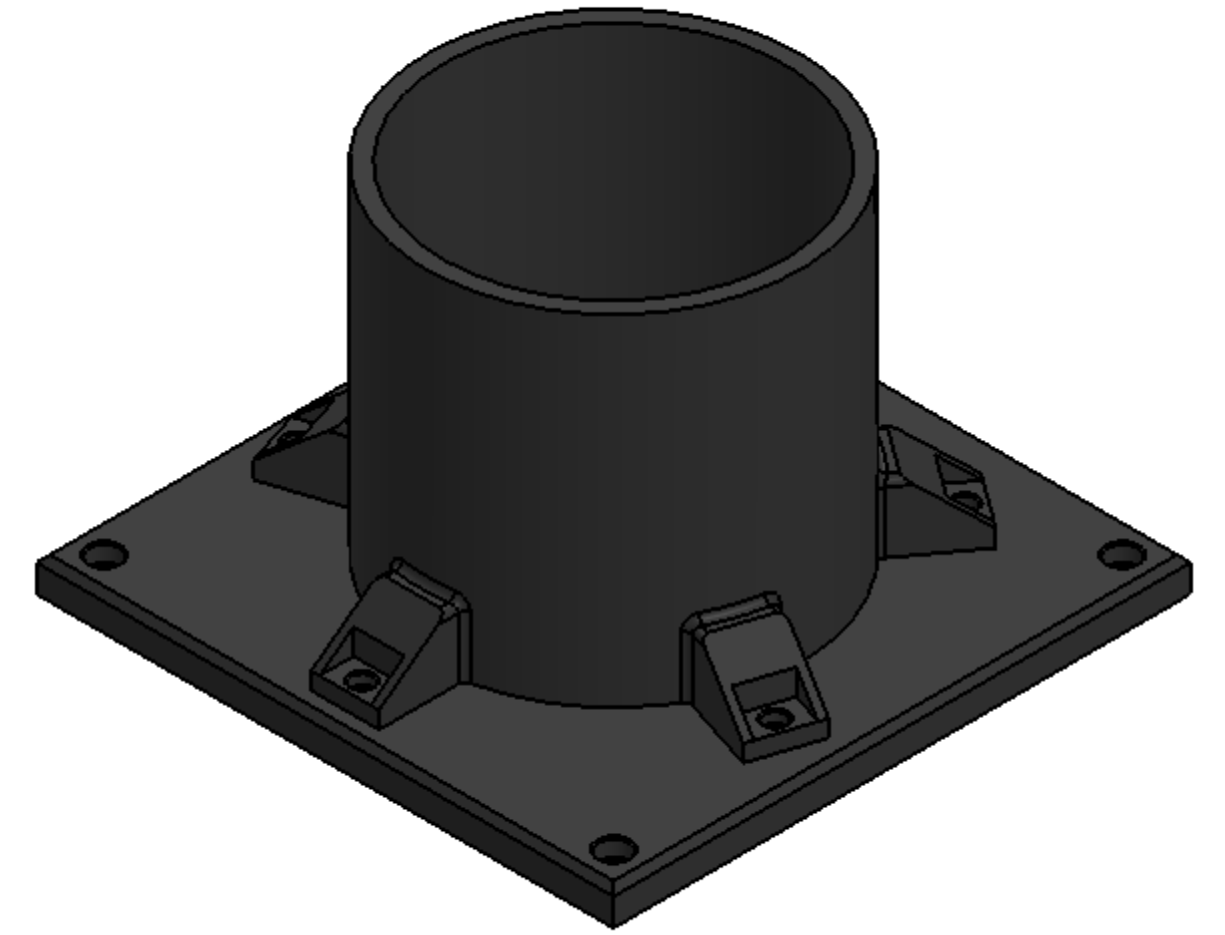
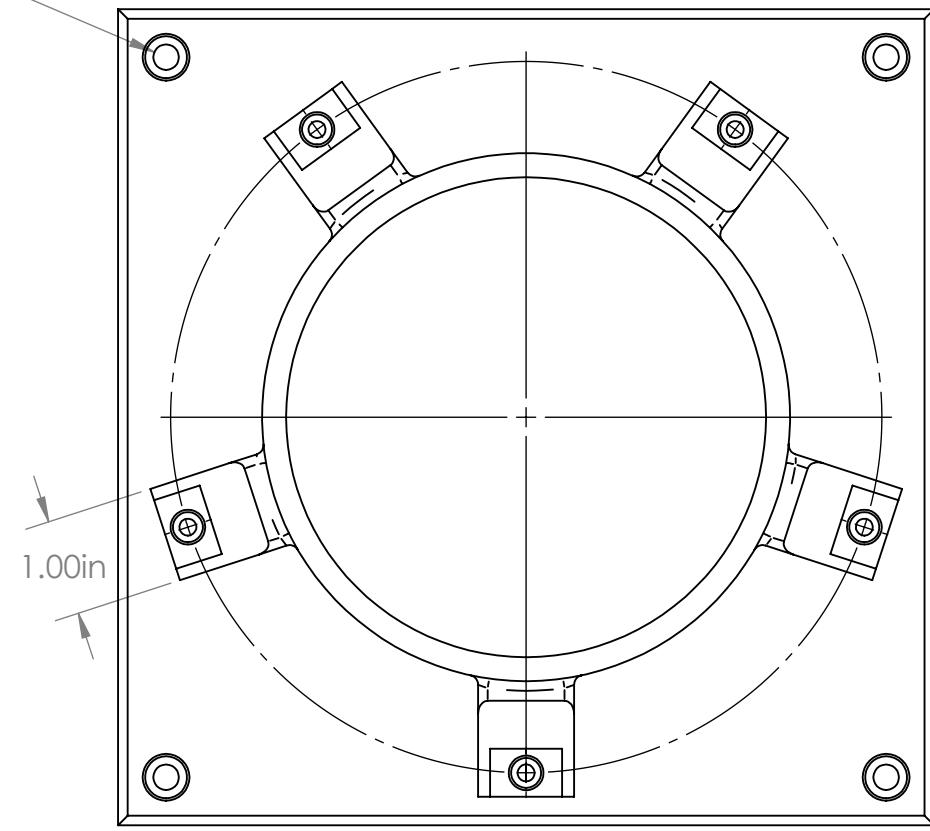
ITEM NO.	PART NUMBER	DESCRIPTION	QTY.
1	850-RBOT001-01	Robotic Arm Base	1
2	6627T57		1
3	850-RBOT002-01	Robotic Arm Base-Gear	1
4	850-RBOT003-01	Base Motor Plate	1
5	91251A440		4
6	850-RBOT004-01	Robotic Arm Base-Top Gear	1
7	850-RBOT005-01	Robotic Arm1	1
8	6627T54		1
9	91251A347		4
10	6627T66		2
11	850-RBOT006-01	Robotic Arm2	1
12	850-RBOT007-01	Robotic Arm3	1
13	Gripper Snap Head		1
14	6455K270_GENERAL PURPOSE PLASTIC BALL BEARING		8



PROPRIETARY AND CONFIDENTIAL
 THE INFORMATION CONTAINED IN THIS DRAWING IS THE SOLE PROPERTY OF Summer HSSP 2018. ANY REPRODUCTION IN PART OR AS A WHOLE WITHOUT THE WRITTEN PERMISSION OF Summer HSSP 2018 IS PROHIBITED.

UNLESS OTHERWISE SPECIFIED:		NAME	DATE	Summer HSSP 2018	
DIMENSIONS ARE IN INCHES		DRAWN	PMF	5/27/18	TITLE: Robotic Arm Assy Exploded View
TOLERANCES:		CHECKED			
FRACTIONAL ±		ENG APPR.	WG	5/28/18	
ANGULAR: MACH ± BEND ±		MFG APPR.	RA	5/30/18	
TWO PLACE DECIMAL ±		Q.A.			SIZE DWG. NO. REV C 975-RBOT001 1
THREE PLACE DECIMAL ±		COMMENTS:			
INTERPRET GEOMETRIC TOLERANCING PER:				SCALE: 1:1	WEIGHT:
MATERIAL				SHEET 1 OF 1	
Alum					
FINISH					
Raw					
NEXT ASSY	USED ON				
APPLICATION					
DO NOT SCALE DRAWING					

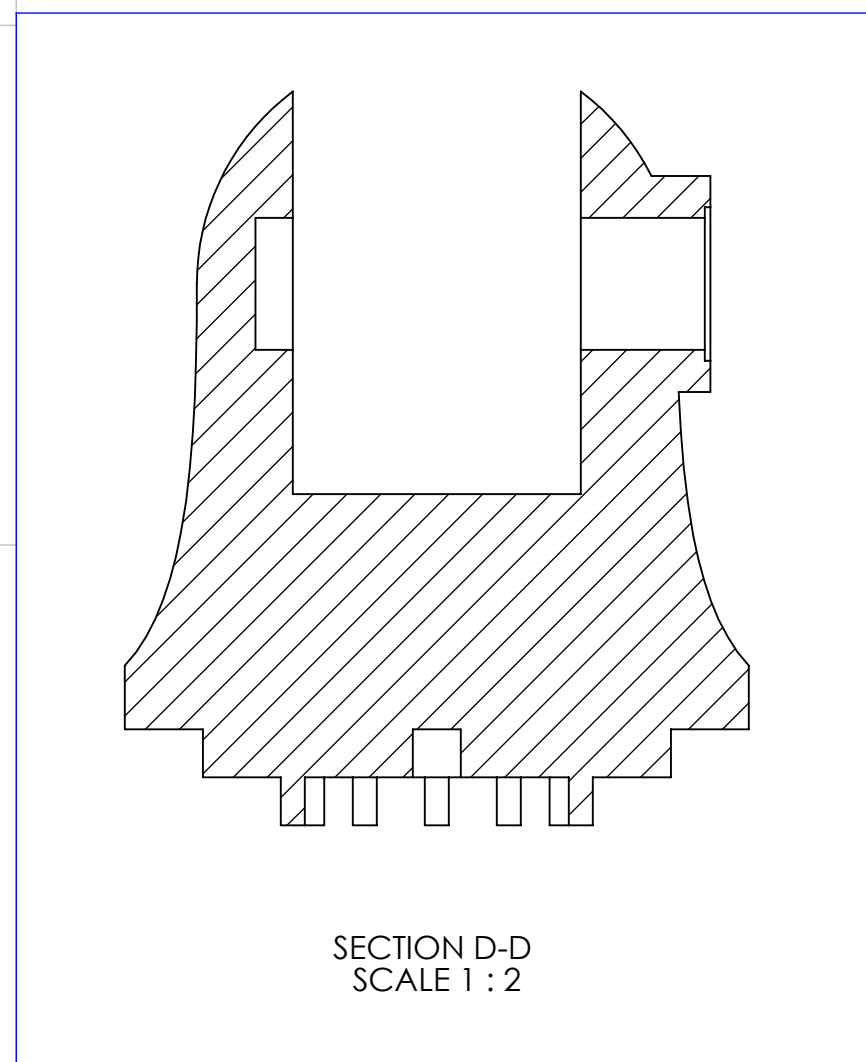
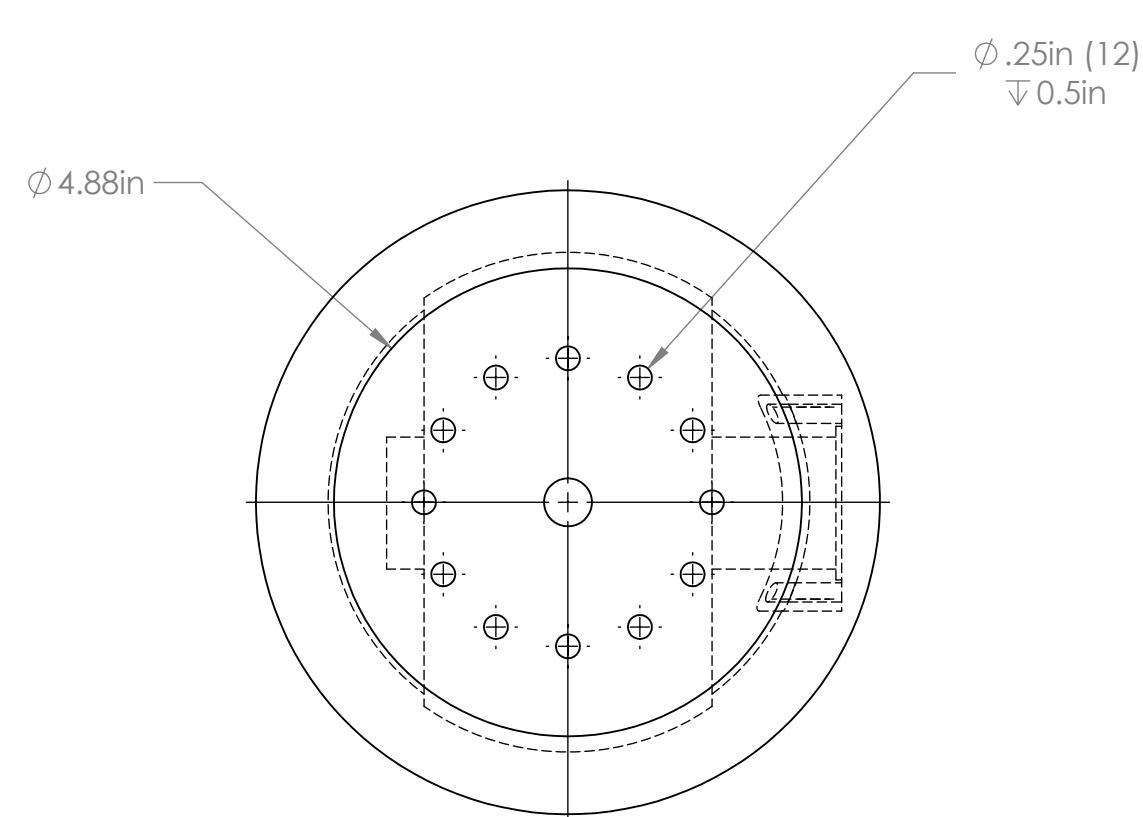
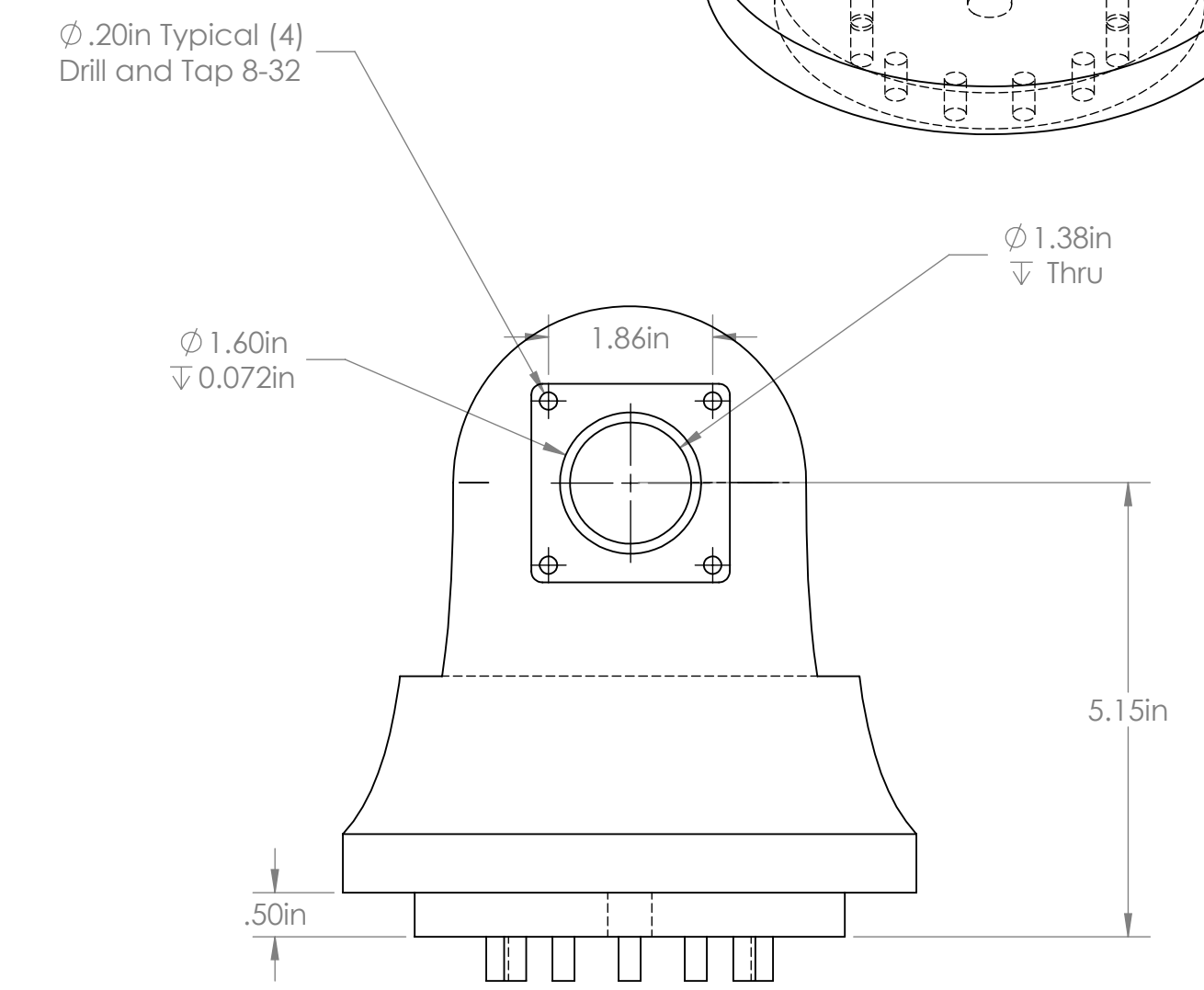
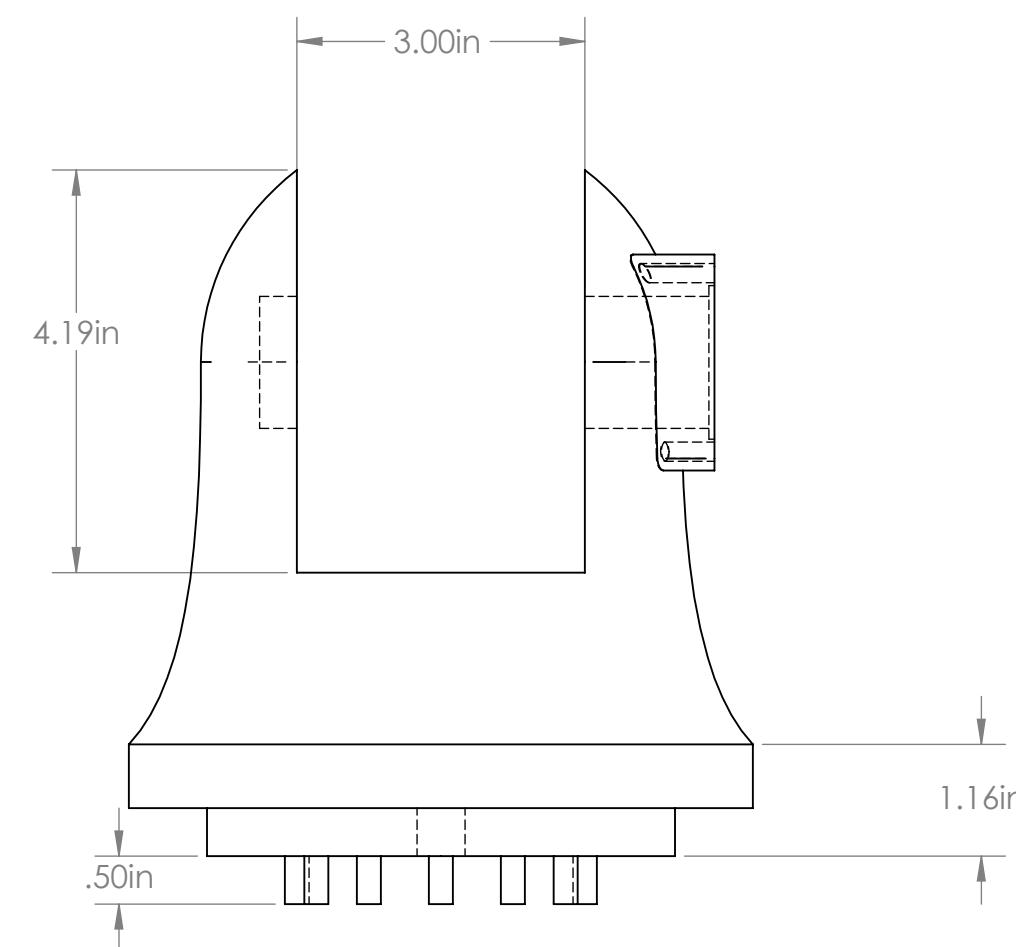
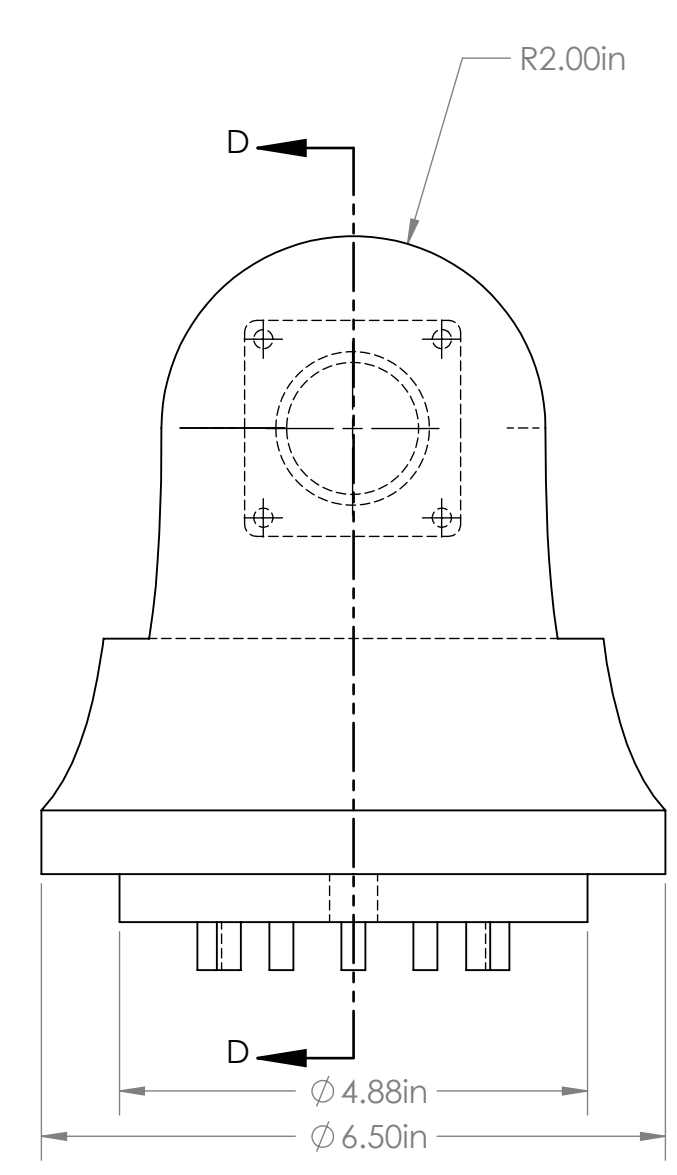
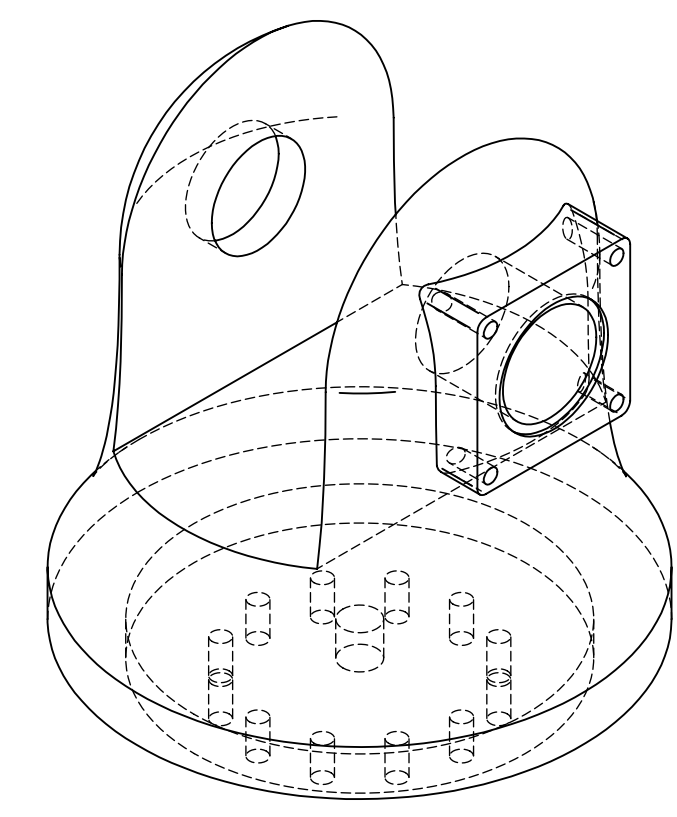
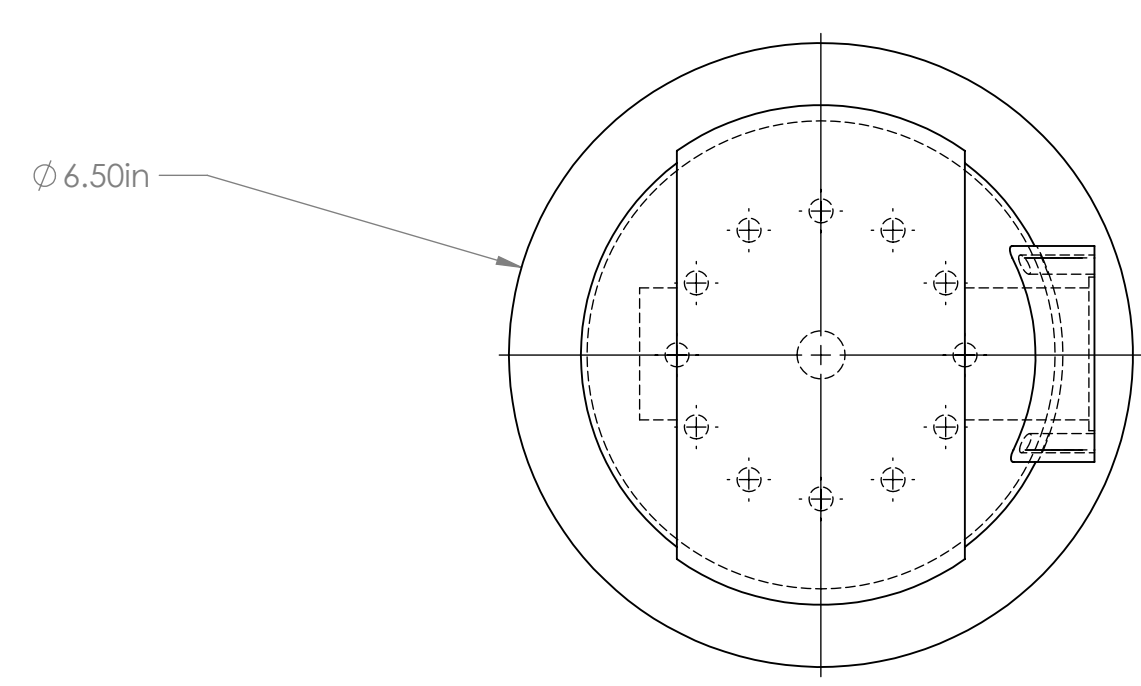
Ø .27in
0.25" SHCS Thru Hole (4)



PROPRIETARY AND CONFIDENTIAL
THE INFORMATION CONTAINED IN THIS DRAWING IS THE SOLE PROPERTY OF Summer HSSP 2018. ANY REPRODUCTION IN PART OR AS A WHOLE WITHOUT THE WRITTEN PERMISSION OF Summer HSSP 2018 IS PROHIBITED.

		UNLESS OTHERWISE SPECIFIED:		NAME	DATE	Summer HSSP 2018	
		DIMENSIONS ARE IN INCHES		DRAWN	PMF	5/27/18	TITLE: Robotic Arm Base
		TOLERANCES:		CHECKED			
		FRACTIONAL ±		ENG APPR.	WG	5/28/18	
		ANGULAR: MATCH ± BEND ±		MFG APPR.	RA	5/30/18	
		TWO PLACE DECIMAL ±		Q.A.			SIZE DWG. NO. REV C 850-RBOT001 1
		THREE PLACE DECIMAL ±		COMMENTS:			
NEXT ASSY	USED ON	MATERIAL					SCALE: 1:1
		Alum					WEIGHT:
		FINISH					SHEET 1 OF 1
		Raw					
APPLICATION		DO NOT SCALE DRAWING					

F
E
D
C
B
A



SECTION D-D
SCALE 1 : 2

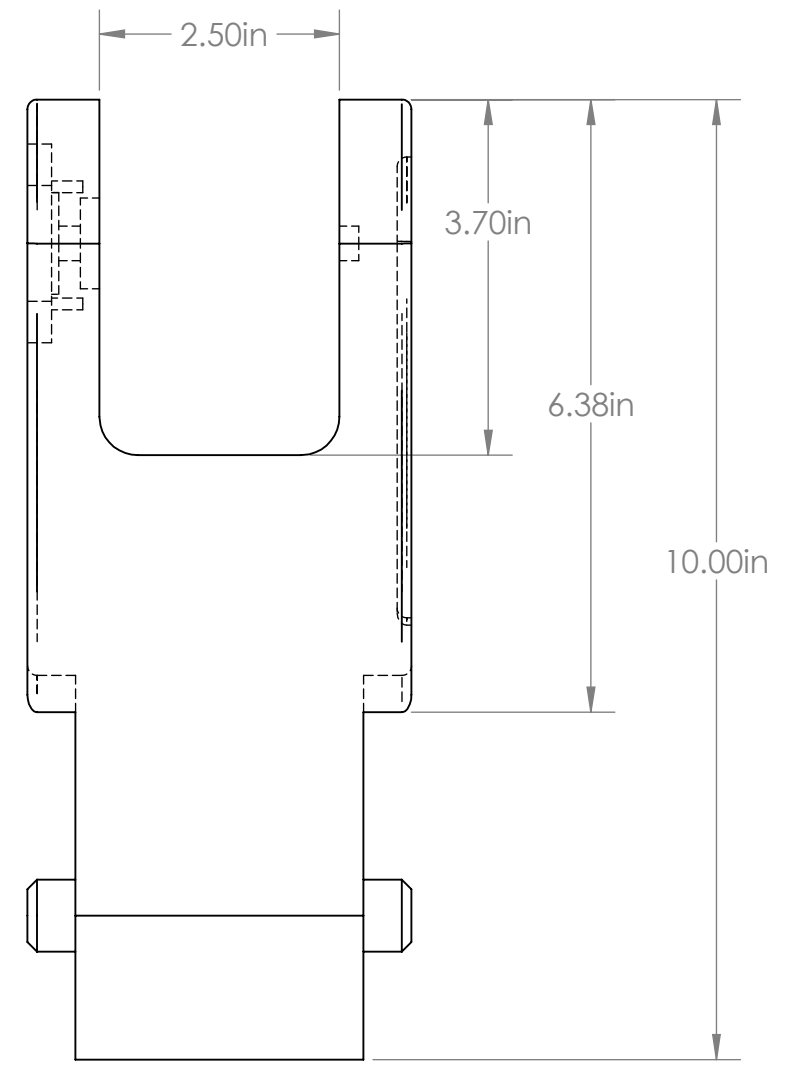
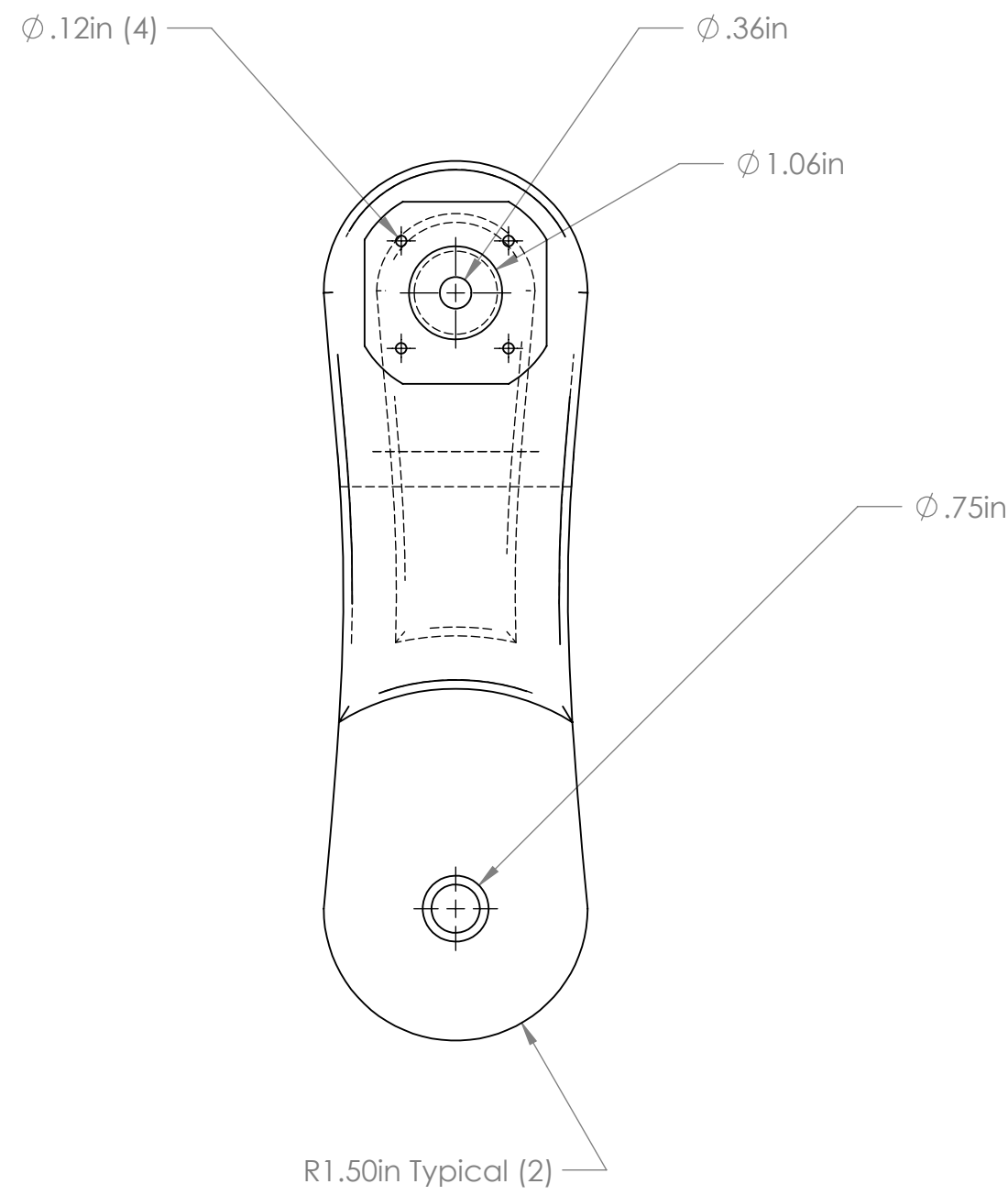
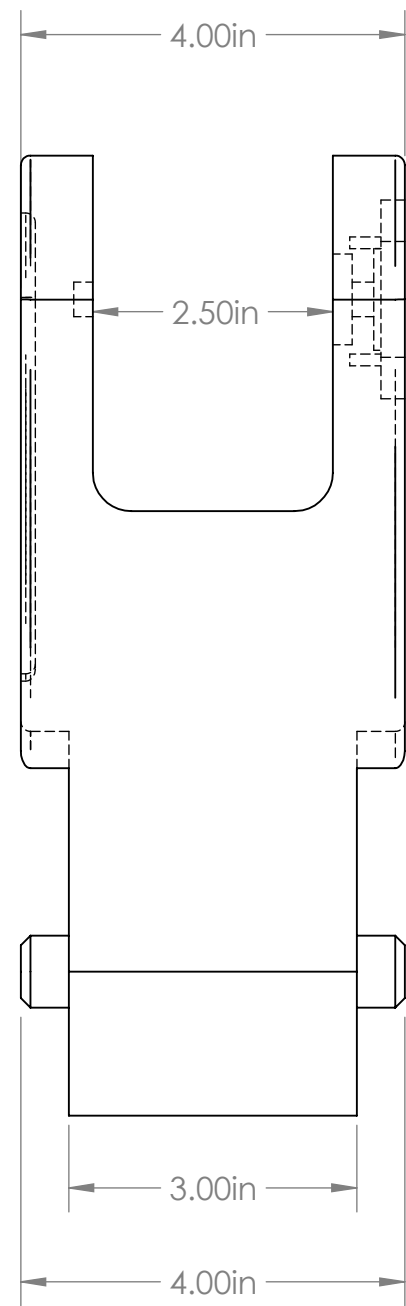
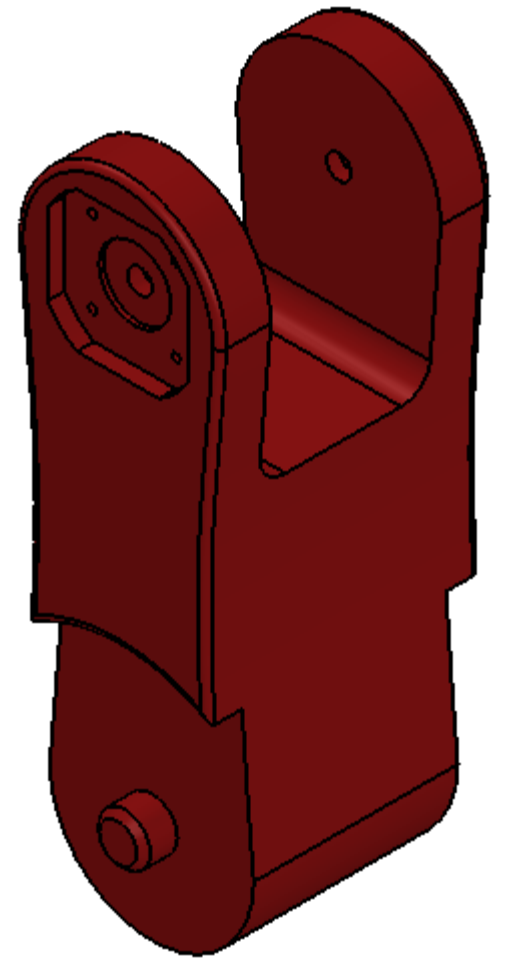
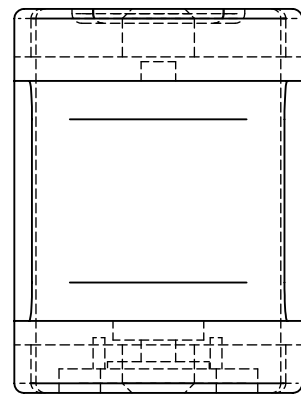
PROPRIETARY AND CONFIDENTIAL
THE INFORMATION CONTAINED IN THIS DRAWING IS THE SOLE PROPERTY OF Summer HSSP 2018. ANY REPRODUCTION IN PART OR AS A WHOLE WITHOUT THE WRITTEN PERMISSION OF Summer HSSP 2018 IS PROHIBITED.

		UNLESS OTHERWISE SPECIFIED:		NAME		DATE		Summer HSSP 2018	
		DIMENSIONS ARE IN INCHES		DRAWN		PMF		5/27/18	
		TOLERANCES:		CHECKED				TITLE:	
		FRACTIONAL ±		ENG APPR.		WG		5/28/18	
		ANGULAR: MACH ±		MFG APPR.		RA		5/30/18	
		TWO PLACE DECIMAL ±		Q.A.				Robotic Arm	
		THREE PLACE DECIMAL ±		COMMENTS:				Base Rotator	
		INTERPRET GEOMETRIC TOLERANCING PER:						SIZE DWG. NO.	
		MATERIAL						C 850-RBOT004	
		Alum						REV	
		FINISH						1	
		Raw						SCALE: 1:1 WEIGHT:	
NEXT ASSY		USED ON						SHEET 1 OF 1	
APPLICATION		DO NOT SCALE DRAWING							

8 7 6 5 4 3 2 1

8 7 6 5 4 3 2 1

F E D C B A

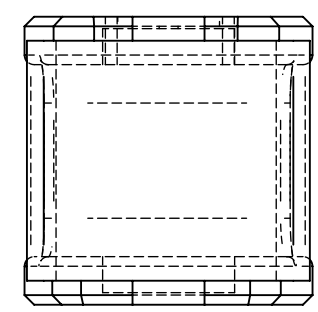
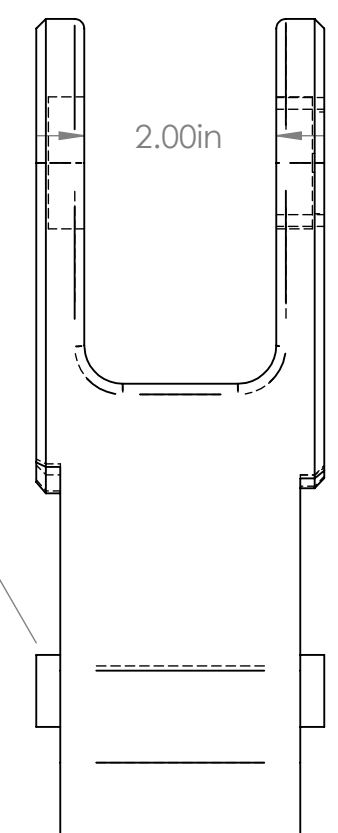
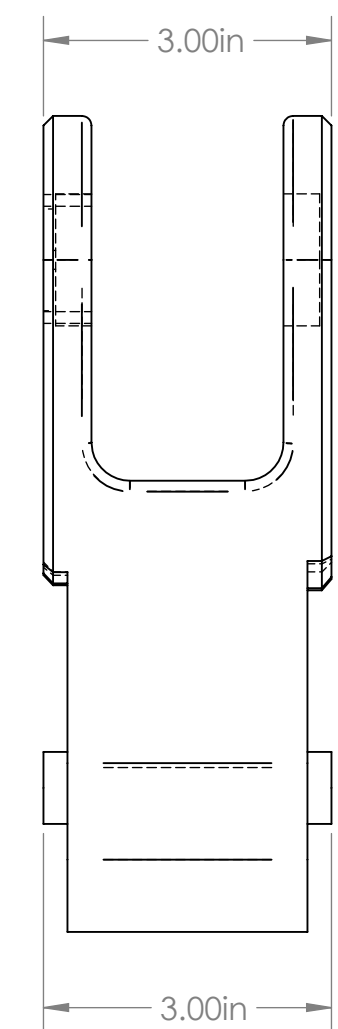
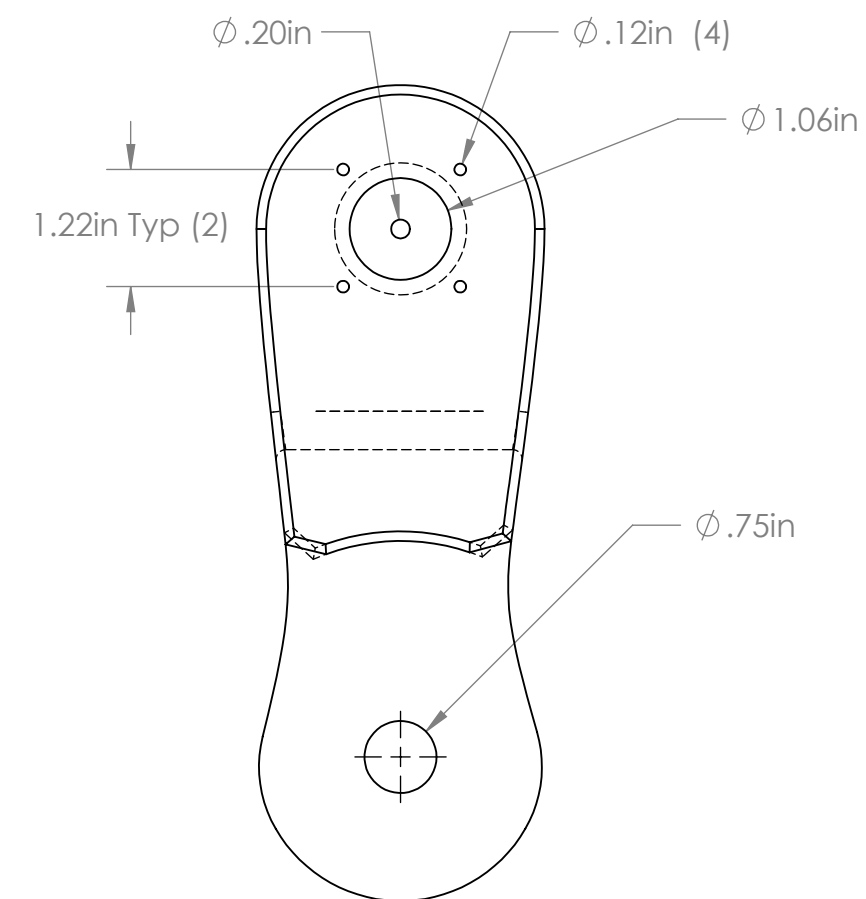
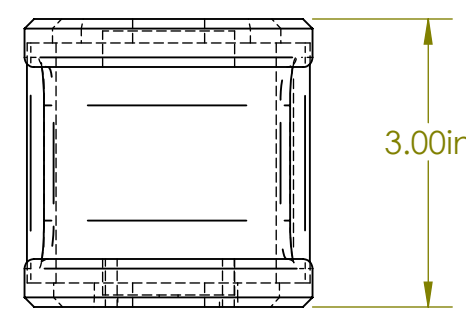
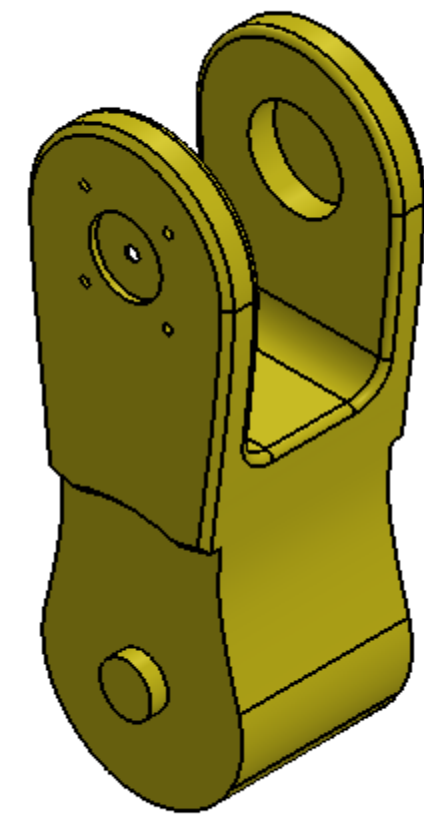


PROPRIETARY AND CONFIDENTIAL
 THE INFORMATION CONTAINED IN THIS DRAWING IS THE SOLE PROPERTY OF Summer HSSP 2018. ANY REPRODUCTION IN PART OR AS A WHOLE WITHOUT THE WRITTEN PERMISSION OF Summer HSSP 2018 IS PROHIBITED.

		UNLESS OTHERWISE SPECIFIED:		NAME	DATE
		DIMENSIONS ARE IN INCHES		DRAWN	PMF 5/27/18
		TOLERANCES:		CHECKED	
		FRACTIONAL ±		ENG APPR.	WG 5/28/18
		ANGULAR: MACH ± BEND ±		MFG APPR.	RA 5/30/18
		TWO PLACE DECIMAL ±		Q.A.	
		THREE PLACE DECIMAL ±		COMMENTS:	
		INTERPRET GEOMETRIC TOLERANCING PER:			
		MATERIAL			
		Alum			
		FINISH			
		Raw			
NEXT ASSY	USED ON	DO NOT SCALE DRAWING			
APPLICATION					

Summer HSSP 2018		
TITLE:		
Robotic Arm		
Red Arm 1		
SIZE	DWG. NO.	REV
C	850-RBOT005	1
SCALE: 1:1	WEIGHT:	SHEET 1 OF 1

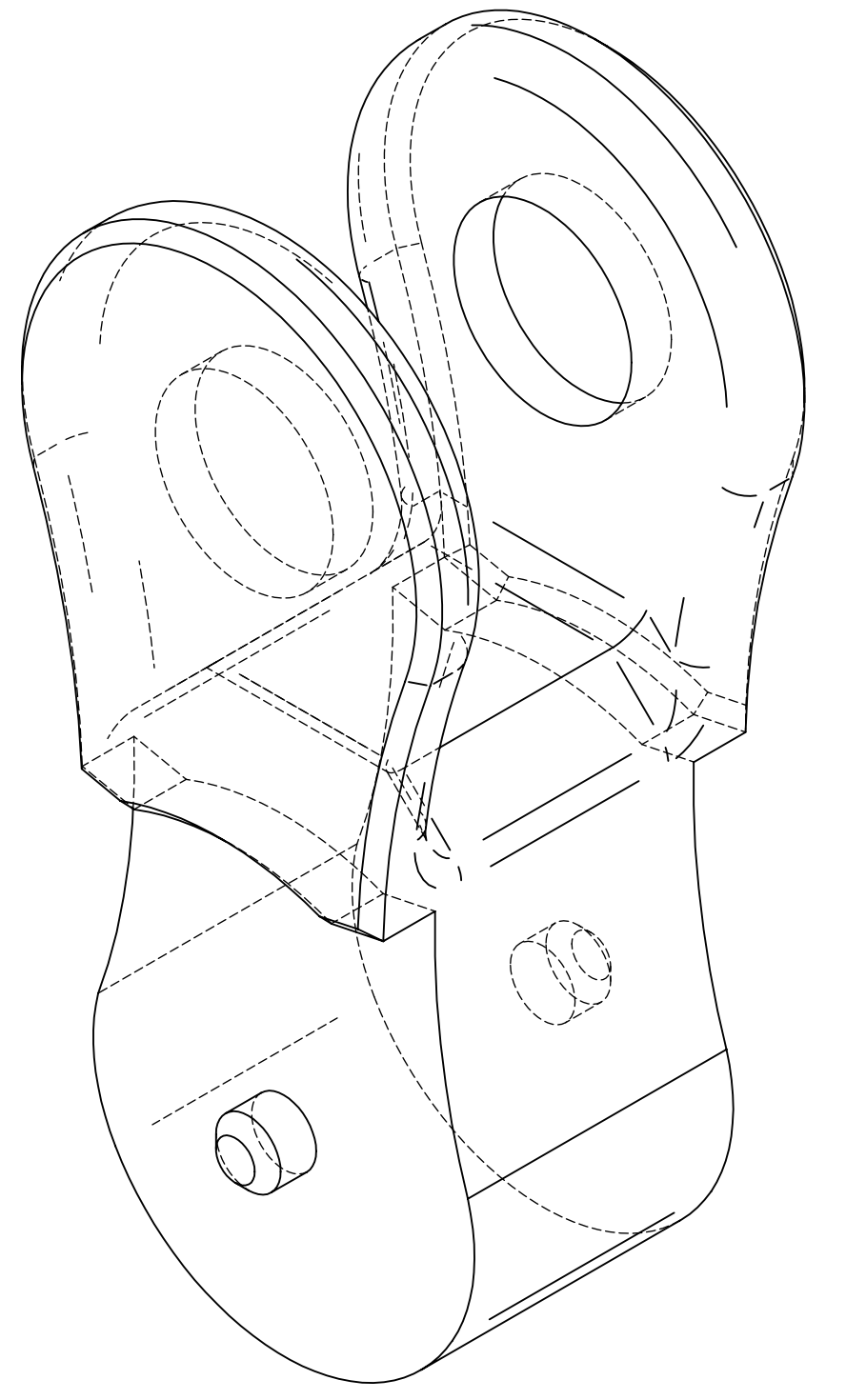
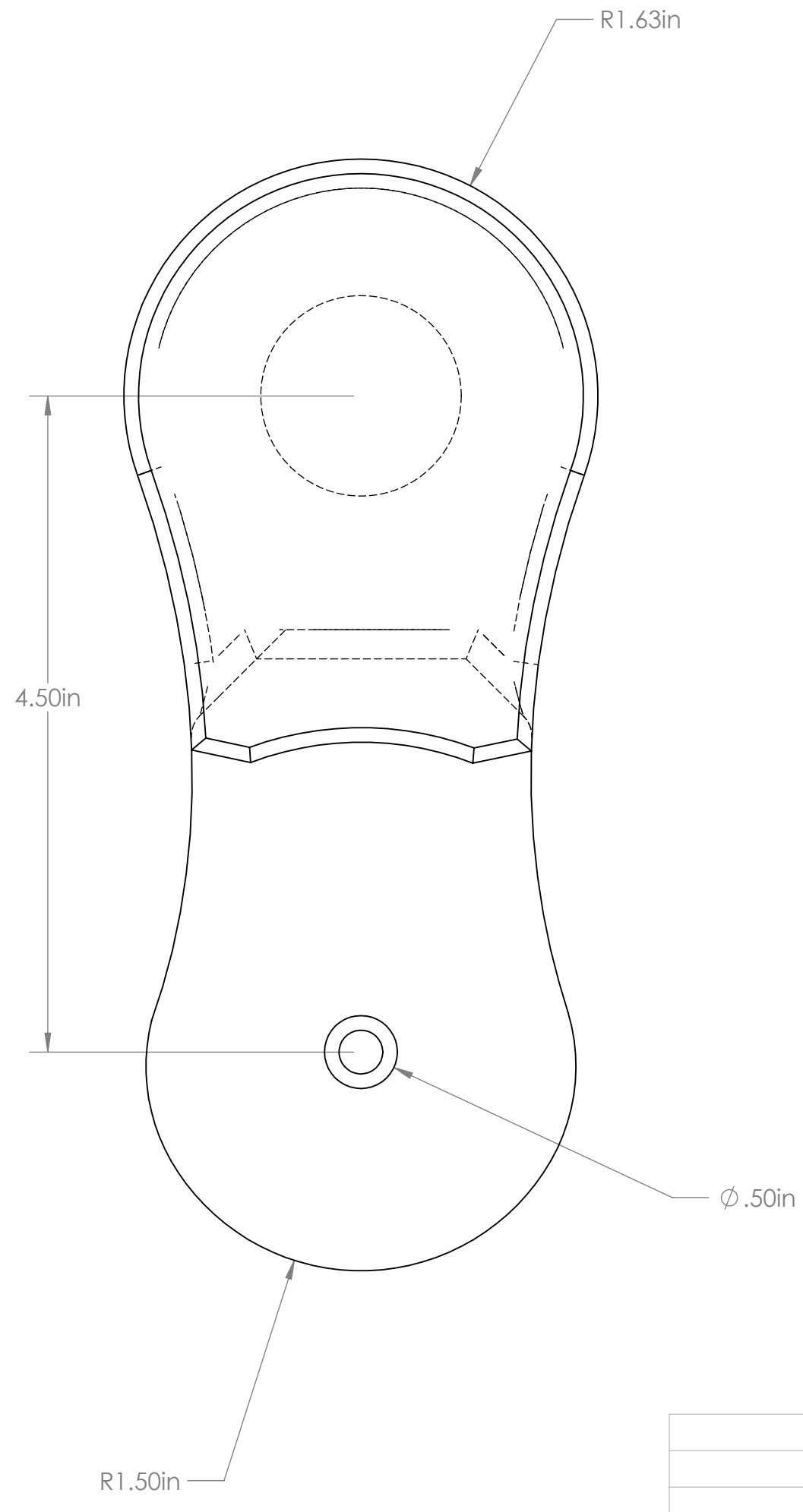
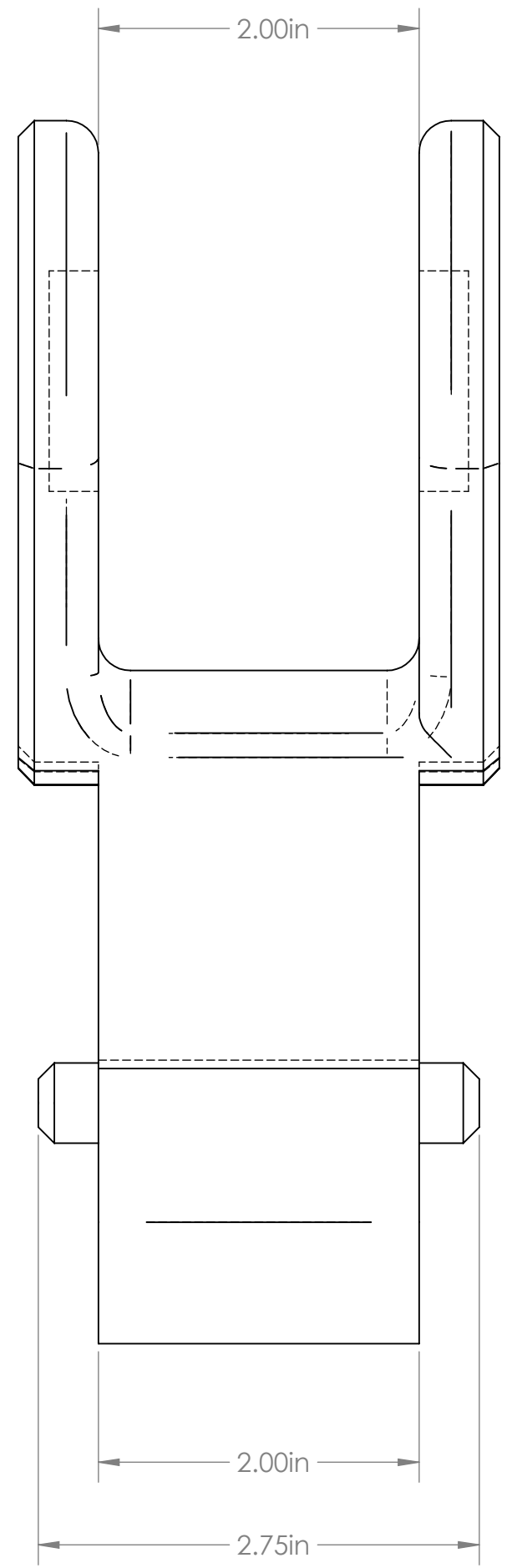
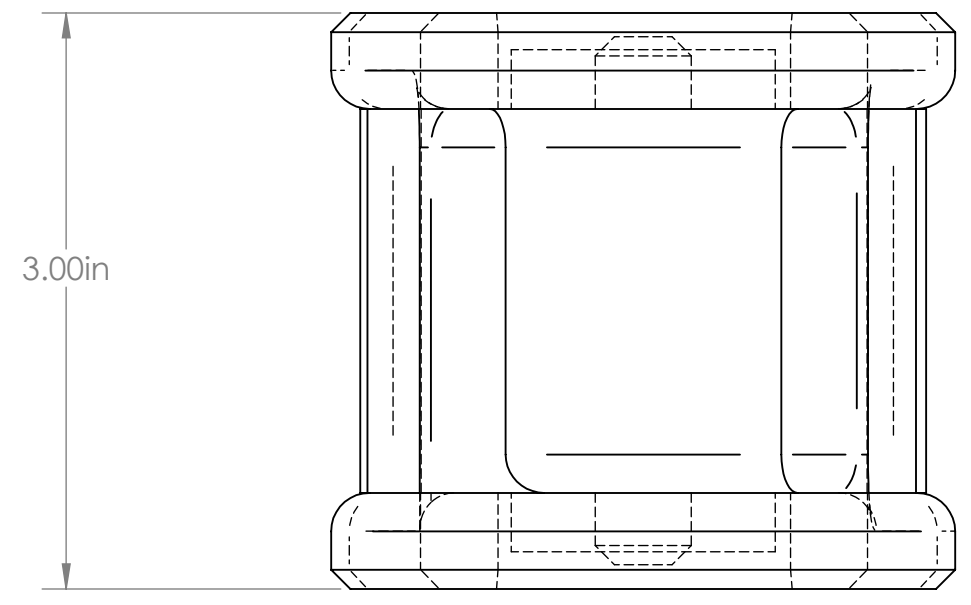
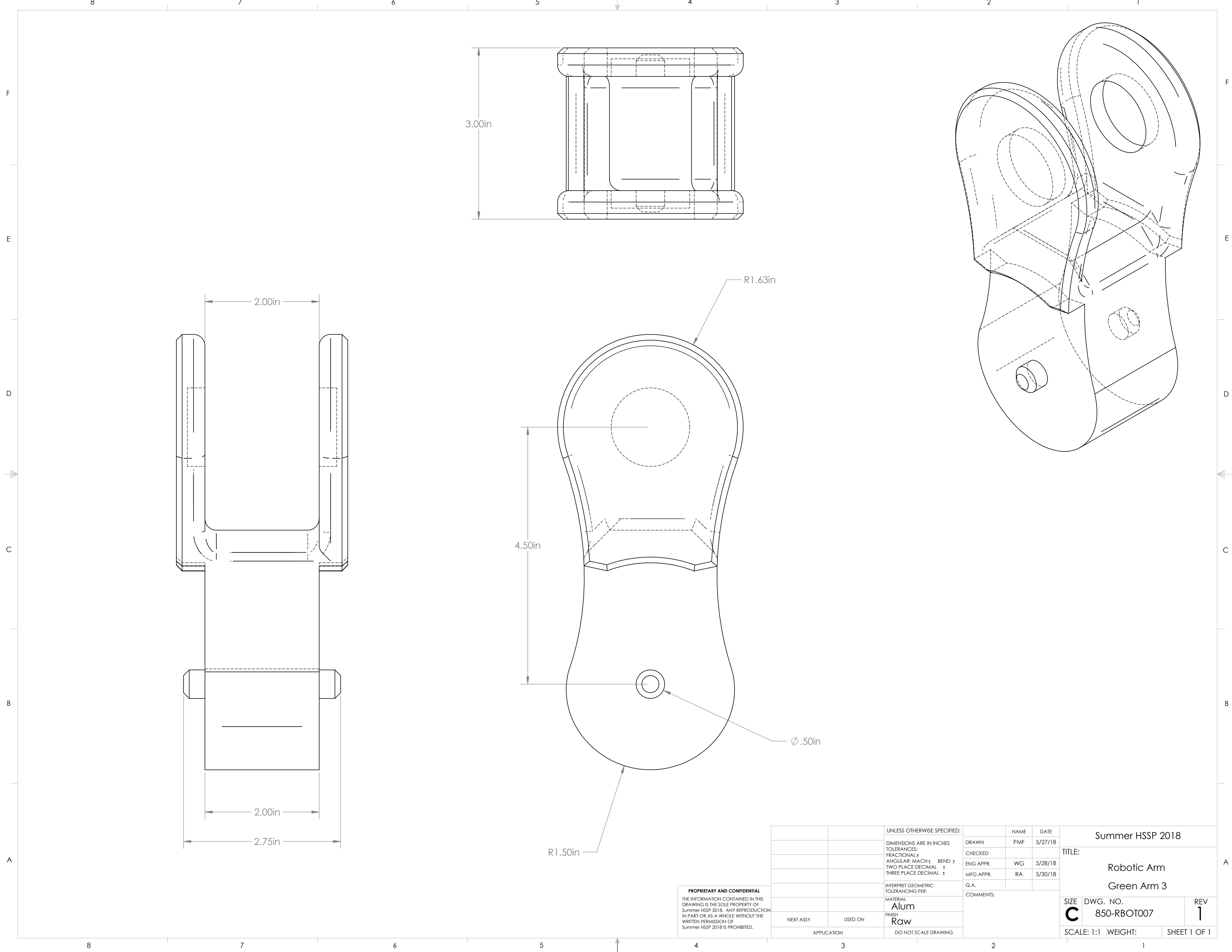
8 7 6 5 4 3 2 1



PROPRIETARY AND CONFIDENTIAL
 THE INFORMATION CONTAINED IN THIS DRAWING IS THE SOLE PROPERTY OF Summer HSSP 2018. ANY REPRODUCTION IN PART OR AS A WHOLE WITHOUT THE WRITTEN PERMISSION OF Summer HSSP 2018 IS PROHIBITED.

		UNLESS OTHERWISE SPECIFIED:		NAME	DATE
		DIMENSIONS ARE IN INCHES		DRAWN	PMF 5/27/18
		TOLERANCES:		CHECKED	
		FRACTIONAL ±		ENG APPR.	WG 5/28/18
		ANGULAR: MACH ± BEND ±		MFG APPR.	RA 5/30/18
		TWO PLACE DECIMAL ±		Q.A.	
		THREE PLACE DECIMAL ±		COMMENTS:	
		INTERPRET GEOMETRIC TOLERANCING PER:			
		MATERIAL			
		Alum			
		FINISH			
		Raw			
NEXT ASSY	USED ON	APPLICATION			
		DO NOT SCALE DRAWING			

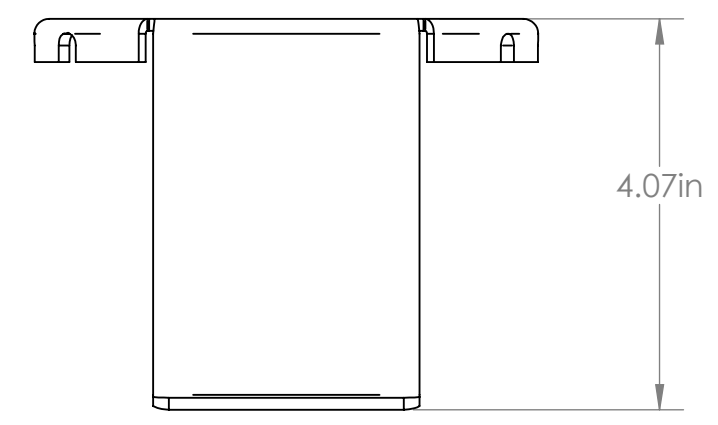
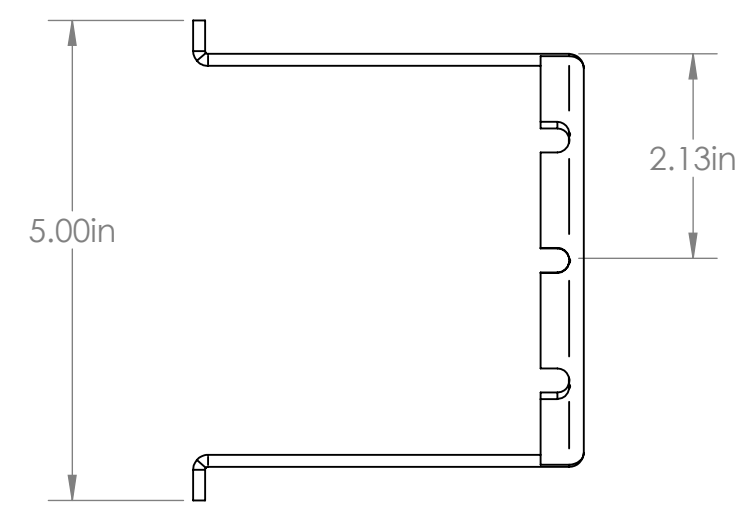
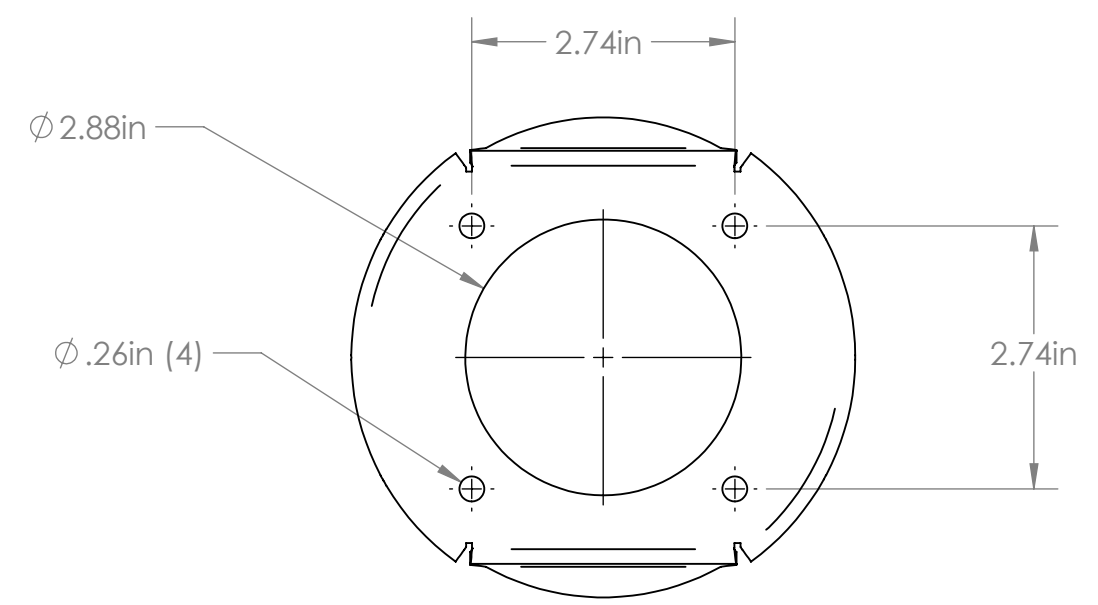
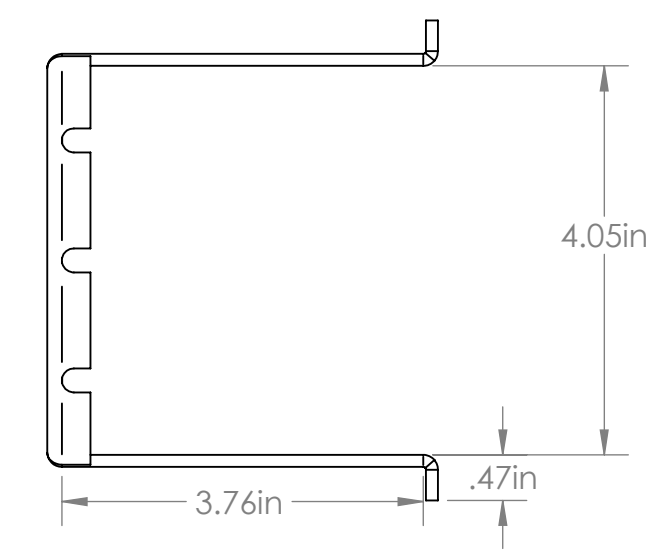
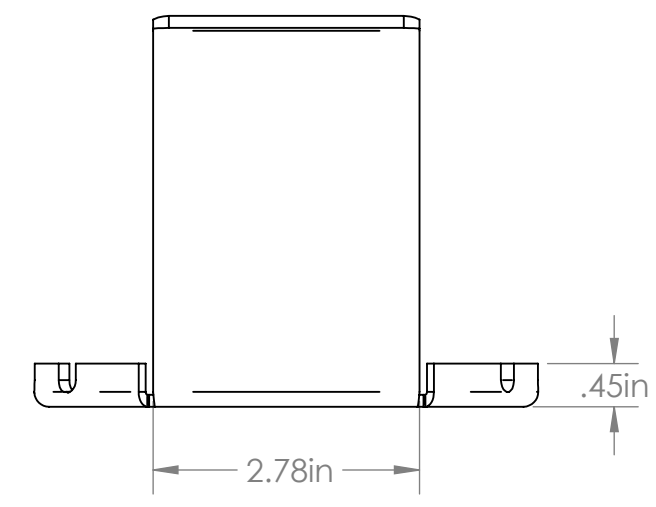
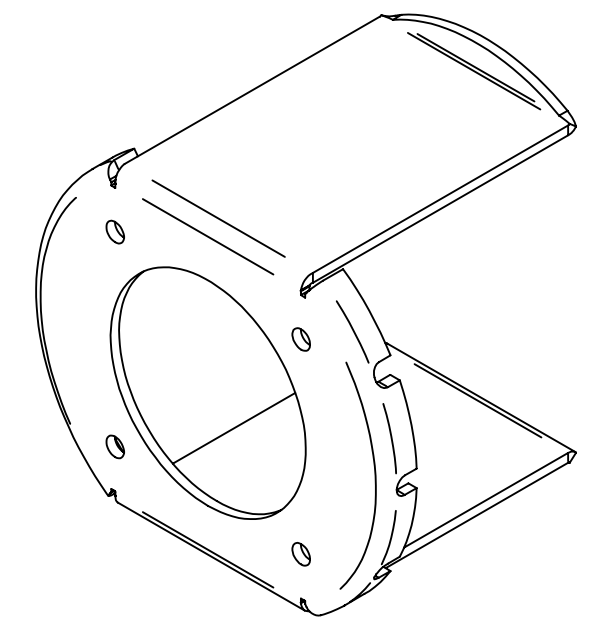
Summer HSSP 2018		
TITLE:		
Robotic Arm		
Yellow Arm 2		
SIZE	DWG. NO.	REV
C	850-RBOT006	1
SCALE: 1:1	WEIGHT:	SHEET 1 OF 1



PROPRIETARY AND CONFIDENTIAL
 THE INFORMATION CONTAINED IN THIS DRAWING IS THE SOLE PROPERTY OF Summer HSSP 2018. ANY REPRODUCTION IN PART OR AS A WHOLE WITHOUT THE WRITTEN PERMISSION OF Summer HSSP 2018 IS PROHIBITED.

		UNLESS OTHERWISE SPECIFIED:	NAME	DATE	
		DIMENSIONS ARE IN INCHES	DRAWN	PMF	5/27/18
		TOLERANCES:	CHECKED		
		FRACTIONAL ±	ENG APPR.	WG	5/28/18
		ANGULAR: MACH ± BEND ±	MFG APPR.	RA	5/30/18
		TWO PLACE DECIMAL ±	Q.A.		
		THREE PLACE DECIMAL ±	COMMENTS:		
		INTERPRET GEOMETRIC TOLERANCING PER:			
		MATERIAL			
		Alum			
		FINISH			
		Raw			
NEXT ASSY	USED ON	APPLICATION			
		DO NOT SCALE DRAWING			

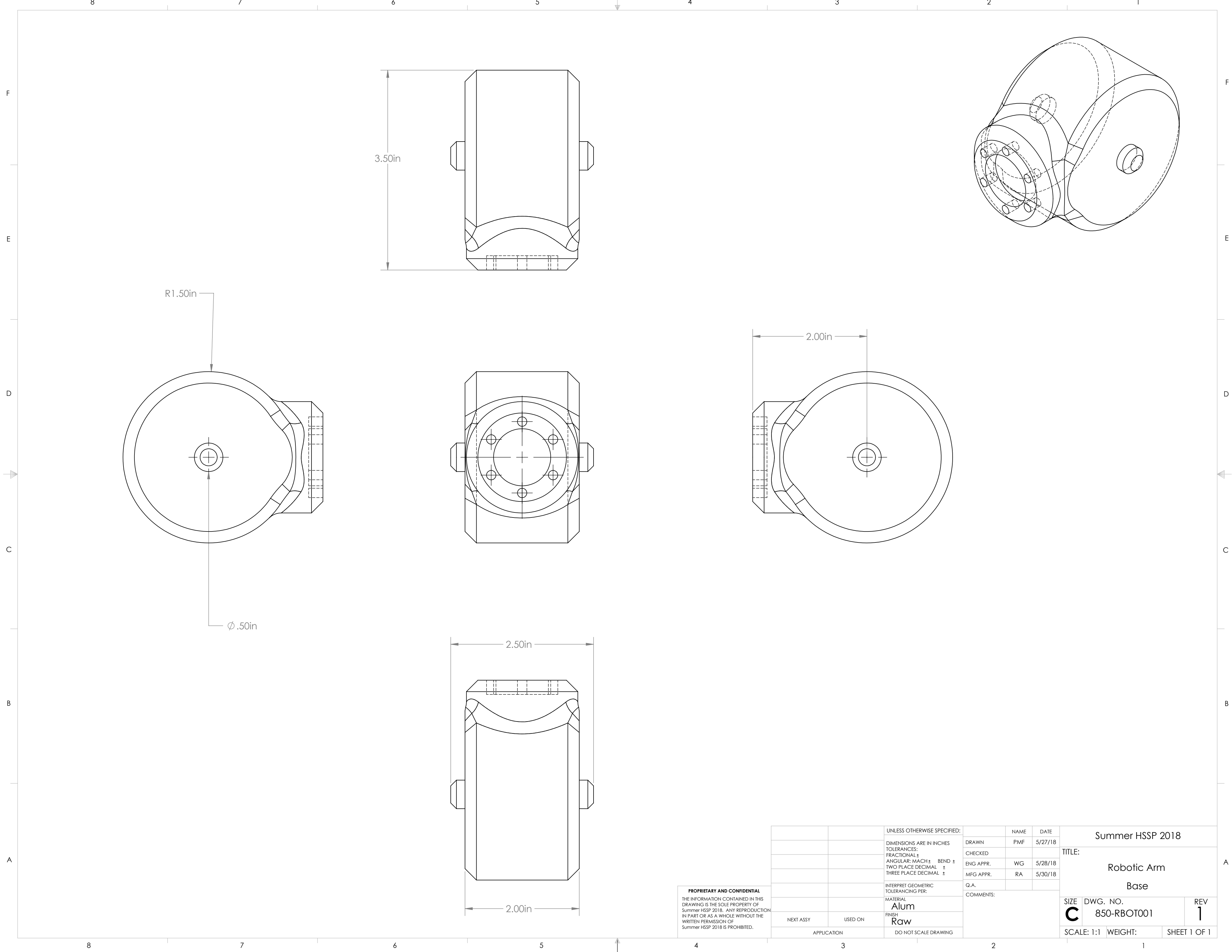
Summer HSSP 2018		
TITLE:		
Robotic Arm		
Green Arm 3		
SIZE	DWG. NO.	REV
C	850-RBOT007	1
SCALE: 1:1	WEIGHT:	SHEET 1 OF 1



PROPRIETARY AND CONFIDENTIAL
 THE INFORMATION CONTAINED IN THIS DRAWING IS THE SOLE PROPERTY OF Summer HSSP 2018. ANY REPRODUCTION IN PART OR AS A WHOLE WITHOUT THE WRITTEN PERMISSION OF Summer HSSP 2018 IS PROHIBITED.

UNLESS OTHERWISE SPECIFIED:		NAME	DATE
DIMENSIONS ARE IN INCHES		DRAWN	PMF 5/27/18
TOLERANCES:		CHECKED	
FRACTIONAL ±		ENG APPR.	WG 5/28/18
ANGULAR: MACH ± BEND ±		MFG APPR.	RA 5/30/18
TWO PLACE DECIMAL ±		Q.A.	
THREE PLACE DECIMAL ±		COMMENTS:	
INTERPRET GEOMETRIC TOLERANCING PER:			
MATERIAL			
Sheet Metal			
FINISH			
Raw			
NEXT ASSY	USED ON		
APPLICATION	DO NOT SCALE DRAWING		

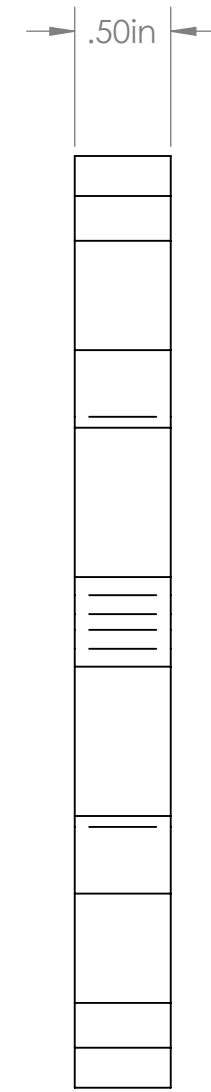
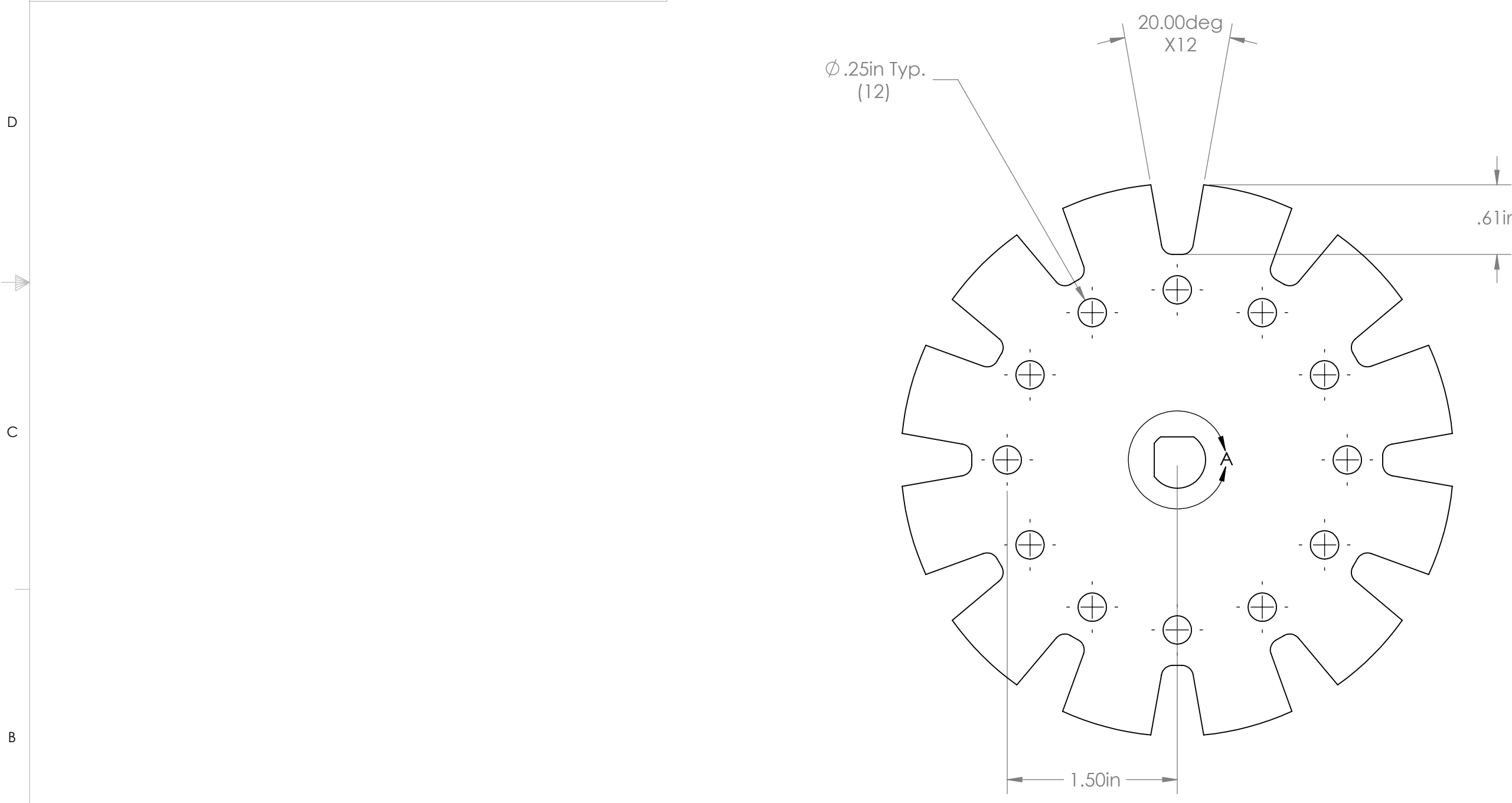
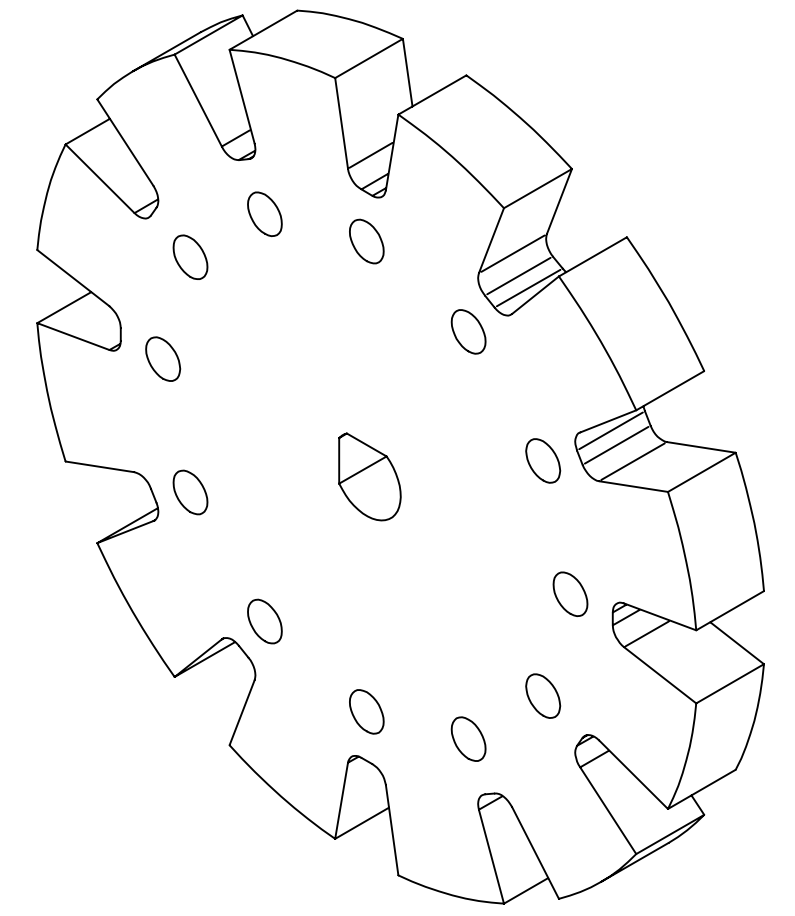
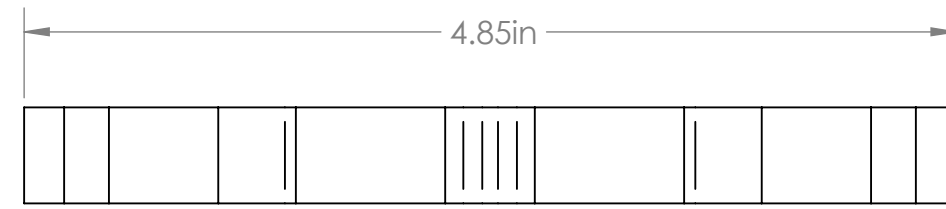
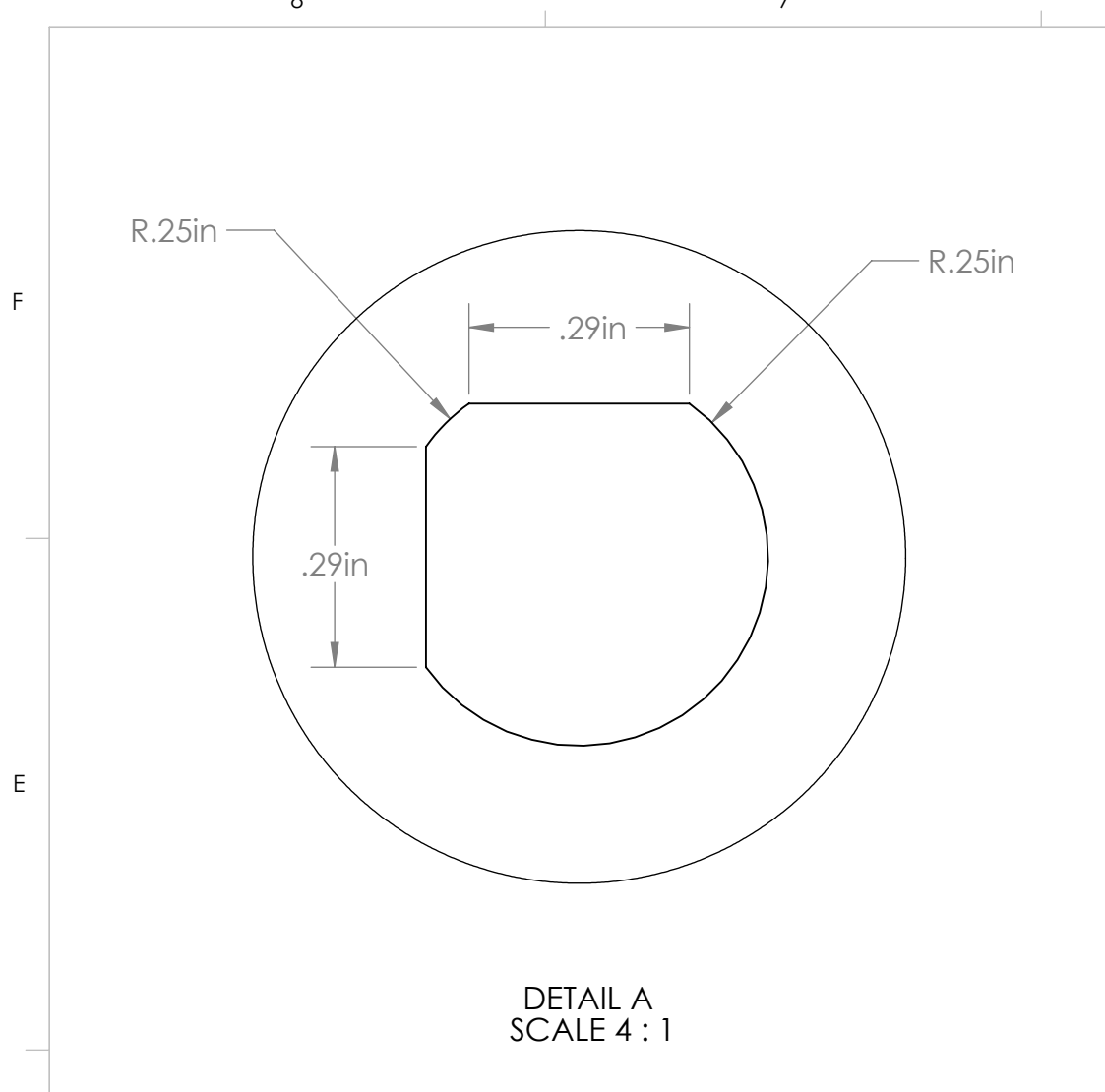
Summer HSSP 2018		
TITLE:		
Robotic Arm		
NEMA 34 Motor Bracket		
SIZE	DWG. NO.	REV
C	850-RBOT003	1
SCALE: 1:1	WEIGHT:	SHEET 1 OF 1



PROPRIETARY AND CONFIDENTIAL
 THE INFORMATION CONTAINED IN THIS DRAWING IS THE SOLE PROPERTY OF Summer HSSP 2018. ANY REPRODUCTION IN PART OR AS A WHOLE WITHOUT THE WRITTEN PERMISSION OF Summer HSSP 2018 IS PROHIBITED.

		UNLESS OTHERWISE SPECIFIED:		NAME	DATE
		DIMENSIONS ARE IN INCHES	DRAWN	PMF	5/27/18
		TOLERANCES:	CHECKED		
		FRACTIONAL \pm	ENG APPR.	WG	5/28/18
		ANGULAR: MACH \pm BEND \pm	MFG APPR.	RA	5/30/18
		TWO PLACE DECIMAL \pm	Q.A.		
		THREE PLACE DECIMAL \pm	COMMENTS:		
		INTERPRET GEOMETRIC TOLERANCING PER:			
		MATERIAL			
		Alum			
		FINISH			
		Raw			
NEXT ASSY	USED ON	DO NOT SCALE DRAWING			
APPLICATION					

Summer HSSP 2018		
TITLE: Robotic Arm Base		
SIZE	DWG. NO.	REV
C	850-RBOT001	1
SCALE: 1:1	WEIGHT:	SHEET 1 OF 1



PROPRIETARY AND CONFIDENTIAL
 THE INFORMATION CONTAINED IN THIS DRAWING IS THE SOLE PROPERTY OF Summer HSSP 2018. ANY REPRODUCTION IN PART OR AS A WHOLE WITHOUT THE WRITTEN PERMISSION OF Summer HSSP 2018 IS PROHIBITED.

UNLESS OTHERWISE SPECIFIED:		NAME	DATE
DIMENSIONS ARE IN INCHES		DRAWN	PMF 5/27/18
TOLERANCES:		CHECKED	
FRACTIONAL ±		ENG APPR.	WG 5/28/18
ANGULAR: MACH ± BEND ±		MFG APPR.	RA 5/30/18
TWO PLACE DECIMAL ±		Q.A.	
THREE PLACE DECIMAL ±		COMMENTS:	
INTERPRET GEOMETRIC TOLERANCING PER:			
MATERIAL			
Alum			
FINISH			
Raw			
NEXT ASSY	USED ON		
APPLICATION	DO NOT SCALE DRAWING		

Summer HSSP 2018		
TITLE: Robotic Arm Base Gear		
SIZE	DWG. NO.	REV
C	850-RBOT002	1
SCALE: 1:1	WEIGHT:	SHEET 1 OF 1